

HC-51

CROVEN CRYSTALS has provided high quality and reliability products to the frequency control industry for more than sixty years and is a world leader in the development and manufacture of the highest precision quartz resonators for demanding applications.

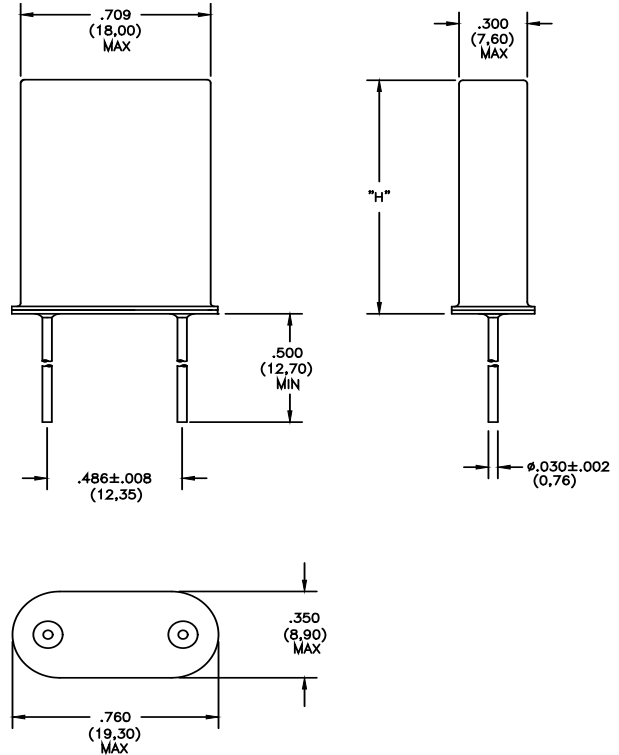
The HC-51 series of crystal resonators provides a broad range of frequencies and designs in a rugged, high reliability enclosure.

Features:

- Resistance weld sealed
- available in AT, SC and IT-cut designs
- RoHS / REACH compliant

Applications:

- precision OCXO, VCXO and TCXO oscillators
- military and high reliability (multiple CR references)
- industrial controls and automation



PARAMETER	Height 'H'	Mode	MINIMUM	MAXIMUM	UNITS
Resonant Frequency range @ specified load conditions and temperature	0.775" (19,69mm)	Fund	1	15	MHz
		3rd OT	4	60	
		5th OT	10	75	
Operating Temperature Range			- 55	+ 125	° C

PARAMETER	STANDARD METHOD OBSERVED
Shock	MIL-STD-202 Method 213, Condition C - 100 g, 6 msec 1/2 sine
Vibration	MIL-STD-202 Method 204, Condition C, 10 g peak 55-2000 Hz
Solderability	MIL-STD-202 Method 208
Workmanship	per the general requirements of MIL-PRF-3098

Notes:

- 1) Consult the factory for more detailed specifications or alternate requirements.