

## HC-43

CROVEN CRYSTALS has provided high quality and reliability products to the frequency control industry for more than sixty years and is a world leader in the development and manufacture of the highest precision quartz resonators for demanding applications.

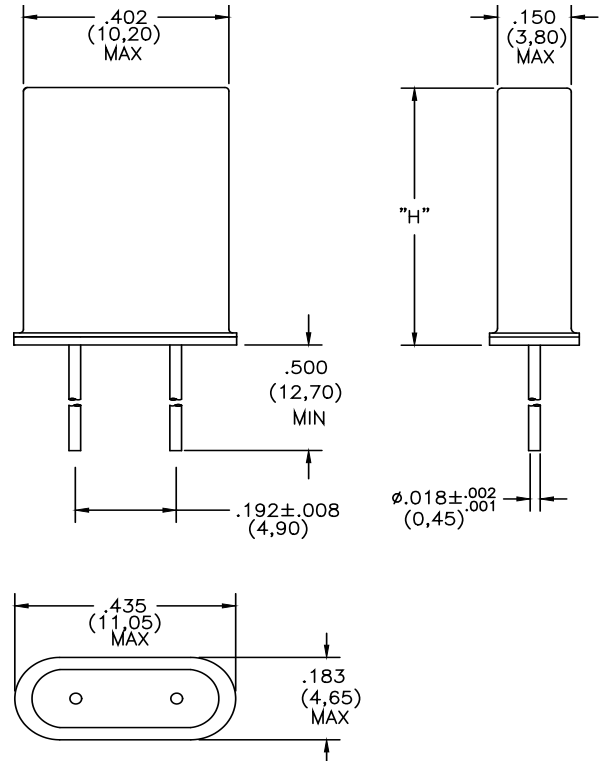
The HC-43 series of crystal resonators provides a broad range of frequencies and designs in a rugged, high reliability enclosure.

**Features:**

- cold weld sealed for **low aging** and **low phase noise** applications
- available in SMD options (see HC-43 SMD data sheet)
- standard crystal types include AT, SC and IT-cut designs
- RoHS / REACH compliant

**Applications:**

- precision OCXO, VCXO and TCXO oscillators
- military and other high reliability applications
- test and measurement and telecom equipment



PARAMETER	Height 'H'	Mode	MINIMUM	MAXIMUM	UNITS
Resonant Frequency range @ specified load conditions and temperature	0.530" (13,36 mm)	Fund	3	35	MHz
		3rd OT	10	105	
		5th OT	30	165	
		7th OT	80	230	
Operating Temperature Range			- 55	+ 125	° C

PARAMETER	STANDARD METHOD OBSERVED
Shock	MIL-STD-202 Method 213, Condition C - 100 g, 6 msec 1/2 sine
Vibration	MIL-STD-202 Method 204, Condition C, 10 g peak 55-2000 Hz
Solderability	MIL-STD-202 Method 208
Workmanship	per the general requirements of MIL-PRF-3098

**Notes:**

- 1) Consult the factory for more detailed specifications or alternate requirements.