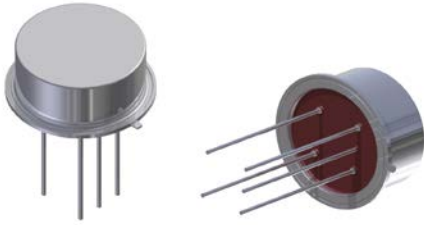


## HC-37 (TO-8)



CROVEN CRYSTALS has provided high quality and reliability products to the frequency control industry for more than sixty years and is a world leader in the development and manufacture of the highest precision quartz resonators for demanding applications.

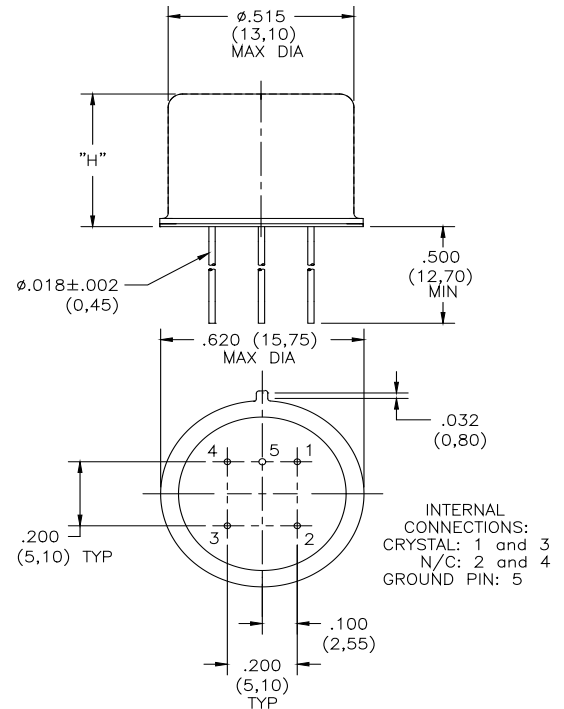
The HC-37 series of crystal resonators provides a broad range of frequencies and designs in a rugged, high reliability enclosure.

### Features:

- cold weld sealed for **low aging** and **low phase noise** applications
- available in **low g-sensitivity** design configurations
- standard crystal types include AT, SC and IT-cut designs
- RoHS / REACH compliant

### Applications:

- precision OCXO, VCXO and TCXO oscillators
- space, military and other high reliability applications
- test and measurement and telecom equipment



PARAMETER	Height 'H'	Mode	MINIMUM	MAXIMUM	UNITS
Resonant Frequency range @ specified load conditions and temperature	0.235" max (5,95mm)	Fund	2.5	25	MHz
		3rd OT	4	60	
		5th OT	10	100	
	0.200" max (5,08mm)	Fund	2.5	25	
		3rd OT	4	60	
		5th OT	10	100	
0.160" max (4,06mm)	Fund	4.0	25		
	3rd OT	10	60		
	5th OT	18	100		
Operating Temperature Range			- 55	+ 125	° C

PARAMETER	STANDARD METHOD OBSERVED
Shock	MIL-STD-202 Method 213, Condition C - 100 g, 6 msec 1/2 sine
Vibration	MIL-STD-202 Method 204, Condition C, 10 g peak 55-2000 Hz
Solderability	MIL-STD-202 Method 208
Workmanship	per the general requirements of MIL-PRF-3098

### Notes:

1) Consult the factory for more detailed specifications or alternate requirements.