



## HC-35 (TO-5)

CROVEN CRYSTALS has provided high quality and reliability products to the frequency control industry for more than sixty years and is a world leader in the development and manufacture of the highest precision quartz resonators for demanding applications.

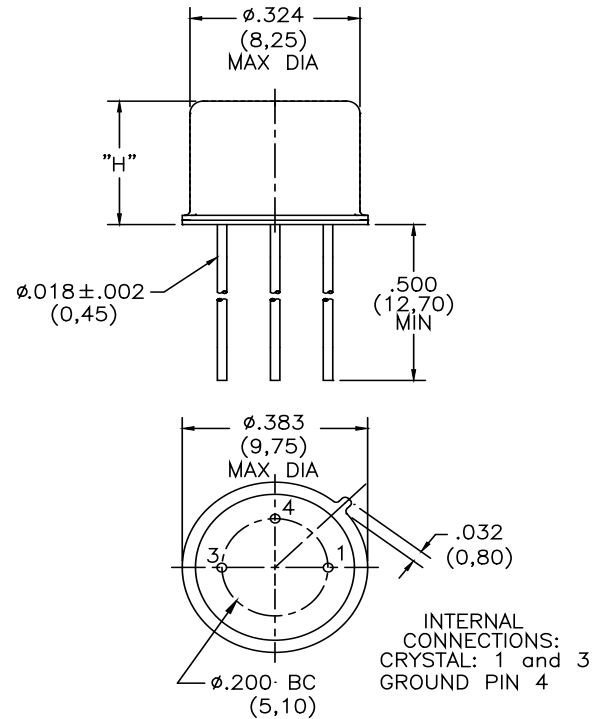
The HC-35 series of crystal resonators provides a broad range of frequencies and designs in a rugged, high reliability enclosure.

### Features:

- cold weld sealed for **low aging** and **low phase noise** applications
- available in AT, SC and IT-cut designs
- low g-sensitivity design options available
- available with 3 or 4 external leads
- RoHS compatible (if required)

### Applications:

- precision OCXO, VCXO and TCXO oscillators
- data telemetry
- instrumentation
- military and high reliability (multiple CR references)



| PARAMETER  | Height 'H'                  | Mode   | MINIMUM | MAXIMUM | UNITS |
|--|-----------------------------|--------|---------|---------|-------|
| Resonant Frequency range @ specified load conditions and temperature | 0.265" (6,73 mm)            | Fund   | 7       | 175     | MHz   |
|  | 0.220" (5,59 mm)            | 3rd OT | 20      | 230     |       |
|  | 0.208" (5,28 mm)            | 5th OT | 40      | 230     |       |
|  | (Note: 0.409" max diameter) | 7th OT | 80      | 230     |       |
| Operating Temperature Range  |                             |        | - 55    | + 125   | ° C   |

| PARAMETER     | STANDARD METHOD OBSERVED                                     |
|---------------|--|
| Shock         | MIL-STD-202 Method 213, Condition C - 100 g, 6 msec 1/2 sine |
| Vibration     | MIL-STD-202 Method 204, Condition C, 10 g peak 55-2000 Hz    |
| Solderability | MIL-STD-202 Method 208                                       |
| Workmanship   | per the general requirements of MIL-PRF-3098                 |

### Notes:

- 1) Consult the factory for more detailed specifications or alternate requirements.