

HC-35LPS



CROVEN CRYSTALS has provided high quality and reliability products to the frequency control industry for more than sixty years and is a world leader in the development and manufacture of the highest precision quartz resonators for demanding applications.

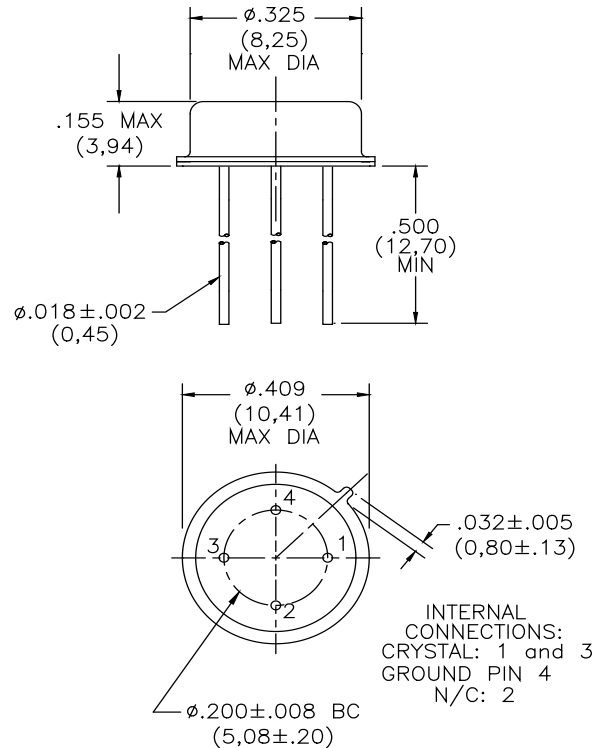
The HC-35-LP series of crystal resonators provides a broad range of frequencies and designs in a rugged, high reliability enclosure. This low profile cold weld package is available as an alternative to the standard HC-35 enclosure when a lower package height is required.

Features:

- 4-point internal mounting for excellent g-sensitivity and high shock and vibration applications
- cold weld sealed for **low aging** and **low phase noise** applications
- available in AT, SC and IT-cut designs
- available with 3 or 4 external leads
- RoHS / REACH compliant

Applications:

- precision OCXO, VCXO and TCXO oscillators
- data telemetry and instrumentation
- military, space and high reliability



PARAMETER		MINIMUM	MAXIMUM	UNITS
Resonant Frequency range @ specified load conditions and temperature	Fund	7	175	MHz
	3rd OT	18	230	
	5th OT	35	230	
	7th OT	120	260	
Operating Temperature Range		- 55	+ 125	° C

PARAMETER	STANDARD METHOD OBSERVED
Shock	MIL-STD-202 Method 213, Condition C - 100 g, 6 msec 1/2 sine
Vibration	MIL-STD-202 Method 204, Condition C, 10 g peak 55-2000 Hz
Solderability	MIL-STD-202 Method 208
Workmanship	per the general requirements of MIL-PRF-3098

Notes:

- 1) Consult the factory for more detailed specifications or alternate requirements.